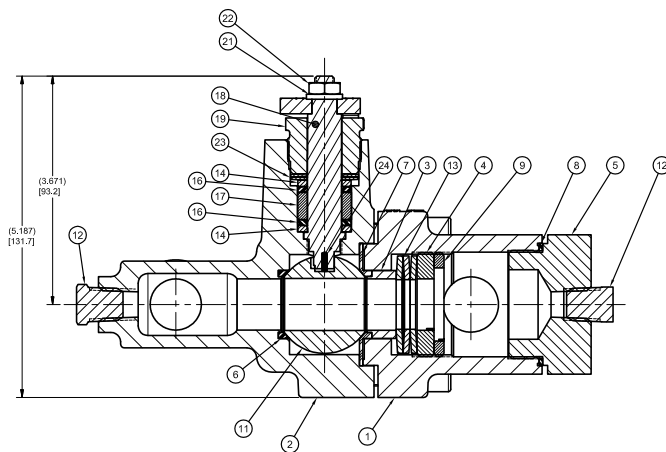
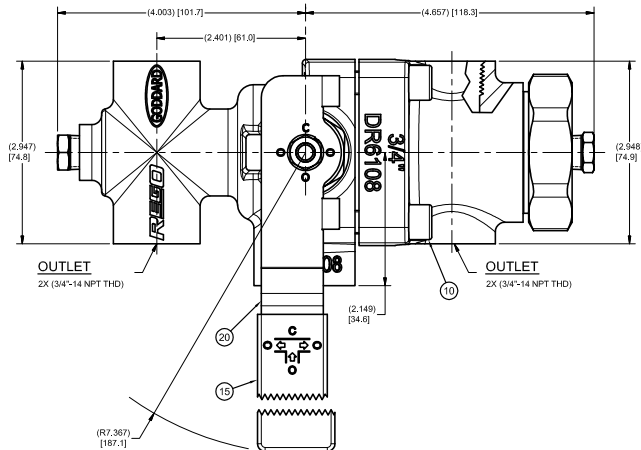


# Diversco

REV 2  
3-20-13

## DR6108 SERIES 3/4" DIVERTER VALVE

600 PSIG (41.37 BAR) CWP  
TEMPERATURE RATING -320°F TO +165°F  
OXYGEN CLEAN PER B-11550-400



ITEM	DESCRIPTION	MATERIAL SPEC.
* 1	BODY	ASTM B62/B584 C83600, ASTM B61/B584 C92200
* 2	BODY (OUTLET END)	ASTM B62/B584 C83600, ASTM B61/B584 C92200
3	BUSHING	ASTM B16 C36000
4	CLAMP, SPRING	ASTM B16 C36000
* 5	END CAP	ASTM B16 C36000
6	SEAT	PCTFE, ASTM D1430 CLASS 1 GRADE 3
7	SEAT	PCTFE, ASTM D1430 CLASS 1 GRADE 3
8	GASKET	PTFE, VIRGIN GRADE
9	RING, THREAD	ASTM B16 C36000
10	SCREW	300 SERIES (18-8) STAINLESS STEEL
* 11	BALL	316 STAINLESS STEEL
12	PLUG, PIPE	ASTM B16 C36000
13	WASHER, SPRING	300 SERIES STAINLESS STEEL
14	SPACER	ASTM B16 C36000
15	SLEEVE, LEVER	VINYL
16	PACKING	PTFE, VIRGIN GRADE
17	BUSHING	GTK GRAFOIL W/ PFA SHEETING LAMINATE
18	STEM	ASTM A582 S30300
19	NUT, PACKING	ASTM B16 C36000
20	LEVER	CADMIUM PLATED STEEL
21	WASHER, LOCK	300 SERIES (18-8) STAINLESS STEEL
22	NUT, JAM	300 SERIES (18-8) STAINLESS STEEL
23	WASHER, SPRING	300 SERIES STAINLESS STEEL
24	SPRING, CYLINDRICAL	ASTM B197 COPPER BERYLLIUM

\* INDICATES PART IS PRESSURE CONTAINING

