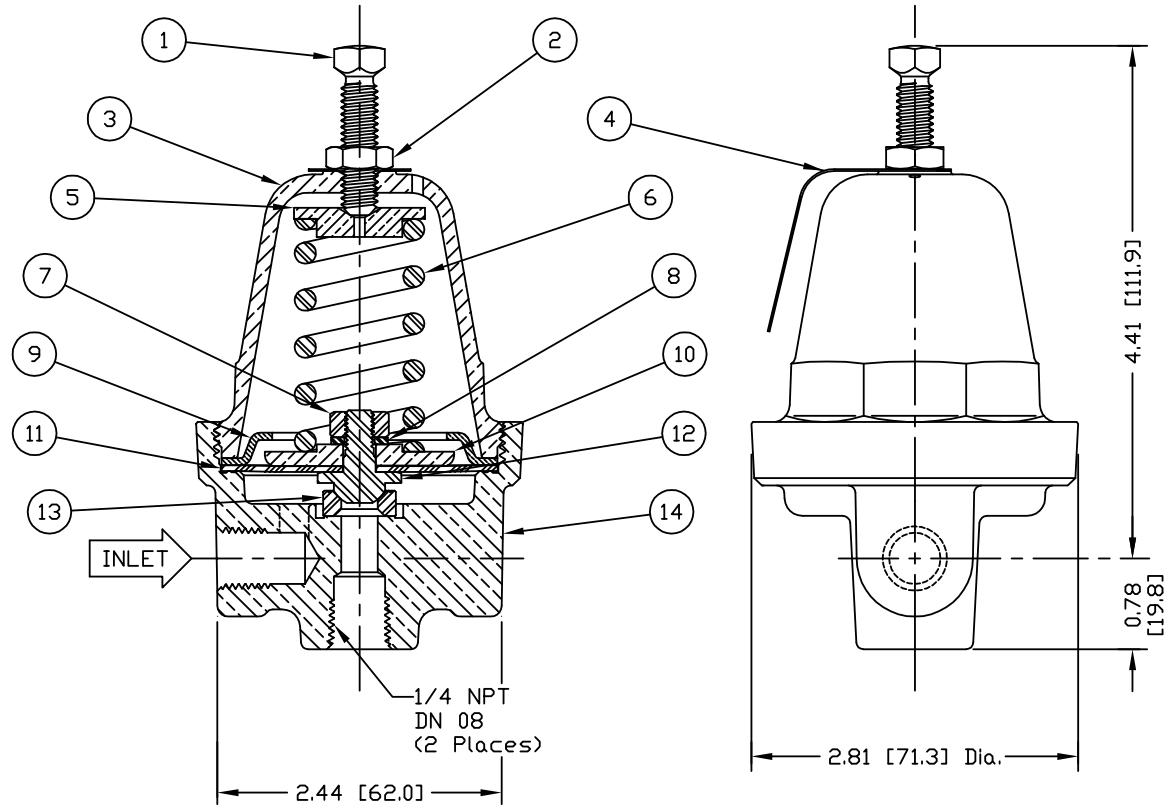


# Diversco



LIST OF MATERIALS				
ITEM	QTY	PART NO.	DESCRIPTION	MATERIAL
1	1	01628	Adjusting Screw	Steel
2	1	01629	Lock Nut	Steel
3	1	02151	Spring Chamber	Bronze
4	1	08353	Name Plate	Aluminum
5	1	08225	Spring Button	Brass
6	1		Pressure Spring	SST
7	1	01353	Nut	Steel
8	1	08226	Washer	Steel
9	1	08243	Diaphragm Stop	Brass
10	1	08227	Pressure Plate	Brass
11	1	08228	Diaphragm	Neoprene
12	1	08230	Ball Seat	303 SST
13	1	08231	Seat Ring	303 SST
14	1	08234	Body	Brass

Notes: 1. Dimensions Are Approximate.

Ⓐ 2. See ED2855 For Marking Instructions.

3. See ED2027 For Assembly & Test Instructions.

18961	REV	REV. DATE	REVISION HISTORY		NAME	INCH [MILLIMETER]	EX2207
	A	01-29-99	08353 WAS 01564, ADDED SEE ED2855			BACK PRESSURE VALVE Side In - Bottom Out	BY JAD
						CHKD	DATE
						APPD	05-02-91
							SIZE
							1/4
						TYPE	FRM2
							18961
							REV. A