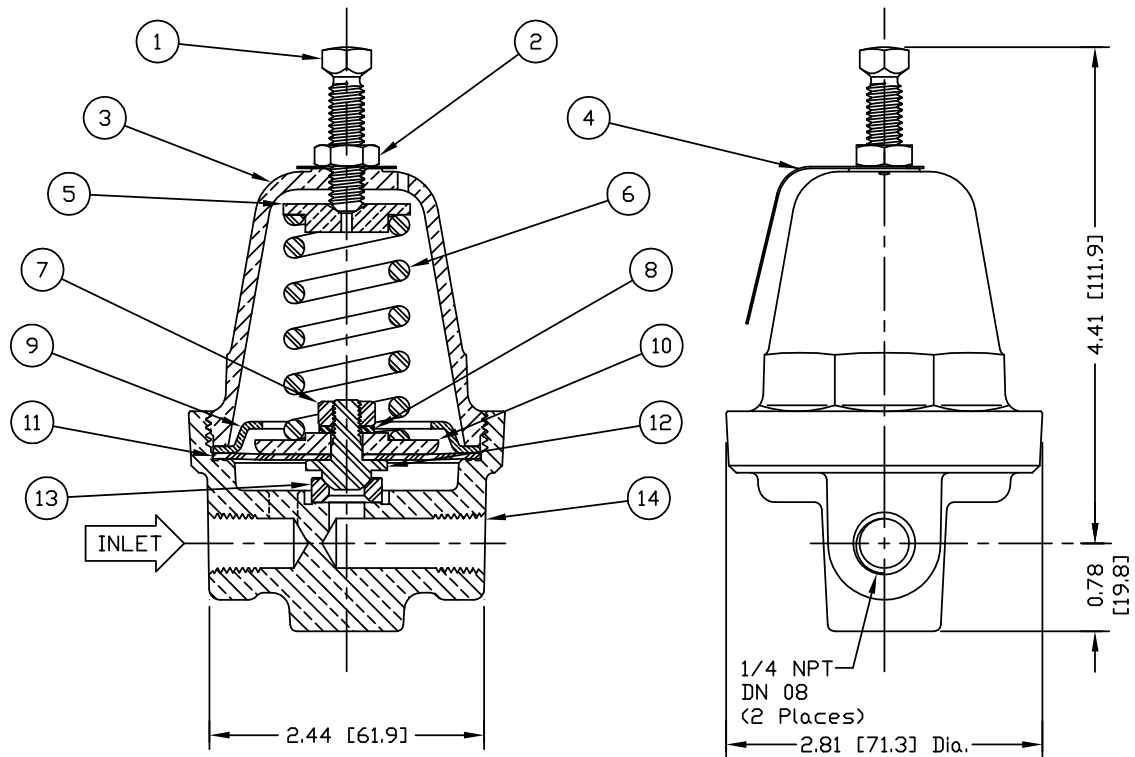


Diversco



LIST OF MATERIALS				
ITEM	QTY	PART NO.	DESCRIPTION	MATERIAL
1	1	01628	Adjusting Screw	Steel
2	1	01629	Lock Nut	Steel
3	1	02151	Spring Chamber	Bronze
4	1	08353	Name Plate	Aluminum
5	1	08225	Spring Button	Brass
6	1		Pressure Spring	SST
7	1	01353	Nut	Steel
8	1	08226	Washer	Steel
9	1	08243	Diaphragm Stop	Brass
10	1	08227	Pressure Plate	Brass
11	1	08228	Diaphragm	Neoprene
12	1	08230	Ball Seat	303 SST
13	1	08231	Seat Ring	303 SST
14	1	08232	Body	Brass

Notes: 1. Dimensions Are Approximate.

Ⓑ 2. See ED2855 For Marking Instructions.

Ⓐ 3. See ED2027 For Assembly & Test Instructions.

08216	REV. DATE	REVISION HISTORY
	A 05-02-91 B 01-29-99	ADDED ED2027 08353 WAS 01564, ADDED SEE ED2855



NAME		INCH (MILLIMETER)		EX2207
BACK PRESSURE VALVE Side In - Side Out		BY JAD		REFERENCE
		CHKD	DATE	
		APPD	SIZE	
		TYPE		
CASH VALVE INC.		FRM2		
		08216		REV. B