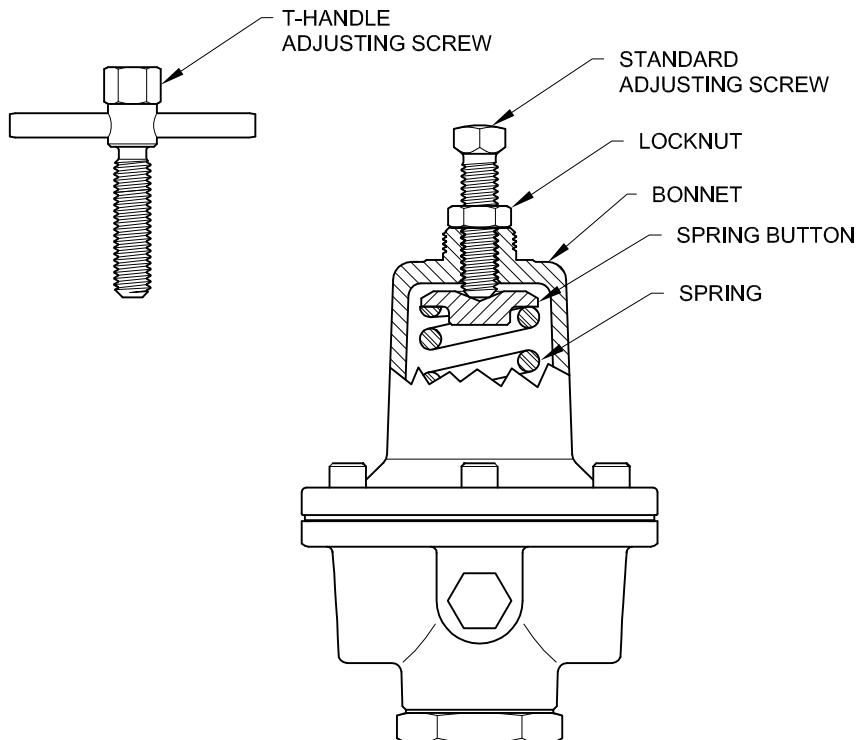


REGO IS A LEADING MANUFACTURER OF GAS AND CRYOGENIC VALVES, REGULATORS AND RELIEF VALVES FOR GAS AND CRYOGENIC STORAGE/DISTRIBUTION SYSTEMS.
Visit Our Website at: www.regoproducts.com

T-HANDLE SCREW OPTION For BR-1780 Series Regulators



WARNING: Only qualified personnel may perform installation, disassembly, repair and maintenance. All gas must be safely evacuated from the system before starting repairs.

CAUTION: Avoiding the inhalation of, or skin contact with compressed and cryogenic gases is advised. Many of these gases can cause asphyxiation, serious injury, or death. See MSDS for specific information regarding the safe handling of the service gas. Evacuation of gas should take place in a well-ventilated area to ensure dispersion. Keep gases far away from open flames or other sources of ignition to prevent fire or explosion.

INSTRUCTIONS:

1. Turn off inlet pressure to regulator. Loosen locknut and turn adjusting screw clockwise as far as it will go. Evacuate all gas downstream of the regulator.
2. If possible, position the valve upright as shown in illustration.
3. Remove the standard Adjusting Screw from the Bonnet.
5. Remove the Locknut from the standard Adjusting Screw and screw onto the T-handle Adjusting Screw.

CAUTION: IT IS IMPORTANT TO USE THE LOCKNUT TO PREVENT ADJUSTMENT BEYOND THE SPRING'S PRESSURE RANGE.

6. Screw the T-handle Adjusting Screw into the valve's Bonnet.
7. Refer to the Installation and Operating Instruction sheet, boxed with the valve, for other information.