

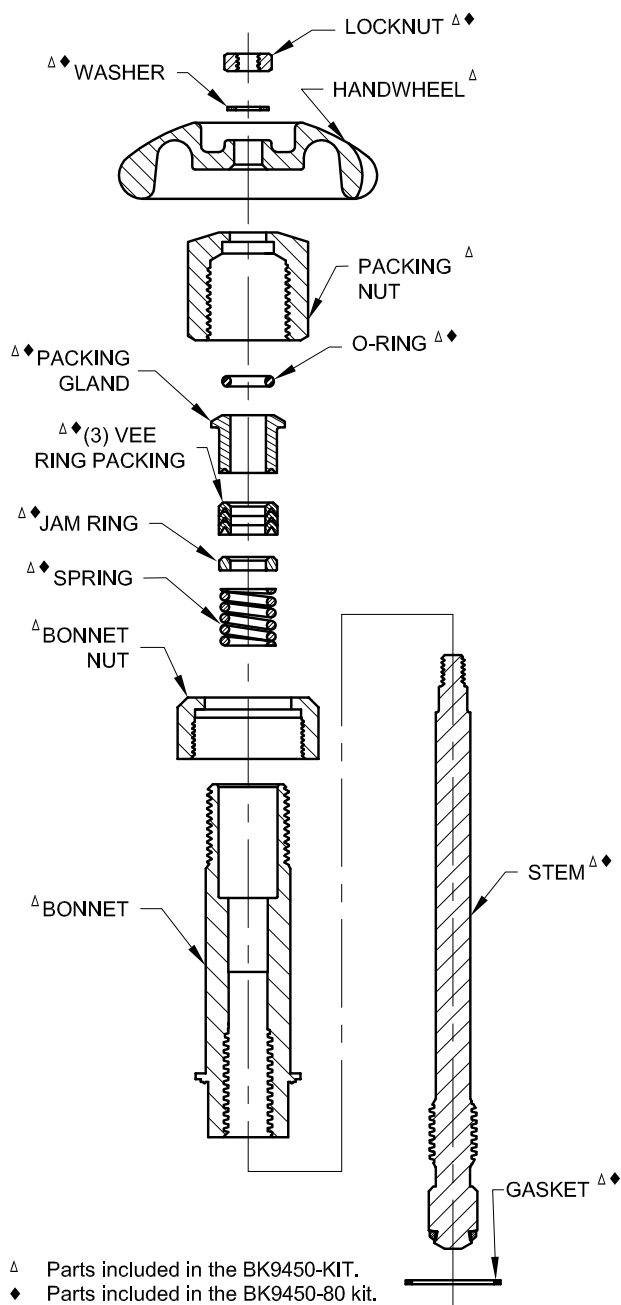


REGO IS A LEADING MANUFACTURER OF GAS AND CRYOGENIC VALVES, REGULATORS AND RELIEF VALVES FOR GAS AND CRYOGENIC STORAGE/DISTRIBUTION SYSTEMS.

Visit Our Website at: www.regoproducts.com

WARNING: Only qualified personnel may perform installation, disassembly, repair and maintenance. All gas must be safely evacuated from the system before starting repairs.

CAUTION: Avoiding the inhalation of, or skin contact with compressed and cryogenic gases is advised. Many of these gases can cause asphyxiation, serious injury, or death. See MSDS for specific information regarding the safe handling of the service gas. Evacuation of gas should take place in a well ventilated area to ensure dispersion. Keep gases far away from open flames or other sources of ignition to prevent fire or explosion.



BK9450-KIT or BK9450-80 Repair Kits for BK9450 Series Shut-Off Valves

BK9450-KIT

Disassembly:

Note: Upper assembly is pre-assembled.

1. Open the valve by turning the handwheel counterclockwise to the full open position and evacuate trapped gas from in the system.
2. Using a large adjustable wrench to hold the valve body, loosen the bonnet nut & discard bonnet nut & upper assembly.
3. Remove & discard gasket.
4. Inspect the valve body and clean if necessary. Ensure interior and seal areas are free of dirt, residue, and foreign particles.

Caution: Do not scratch or mar internal surfaces.

Reassembly:

1. Place new gasket into recess in the valve body.
2. Holding the new bonnet in one hand, turn handwheel counterclockwise to full open position.
3. Place new bonnet assembly into valve body. Hold the body tight with the adjustable wrench and tighten bonnet nut to 900-1100 in-lbs, using a suitable torque wrench and 1 1/2" crows foot.
4. Cycle the valve stem opened and closed several times to ensure smooth operation.
5. Slowly pressurize system. Check valve for proper operation and all seal points for leaks by inspecting thoroughly, using a high quality leak detection solution.

BK9450-80 KIT

Disassembly:

Note: (For BK9450-80) Discard items with an *.

1. Open the valve by turning the handwheel counterclockwise to the full open position and evacuate trapped gas from in the system.
2. Remove locknut*, washer*, & handwheel.
3. Remove packing nut & packing gland* with 1 1/8" wrench. Carefully remove o-ring* and set packing nut aside for reassembly.
4. Using a large adjustable wrench to hold the valve body, loosen the bonnet nut by turning counterclockwise with a suitable wrench.
5. Remove bonnet assembly, bonnet nut & gasket*.
6. Unthread stem*, from bonnet.
7. Remove vee rings*, jam ring* & spring* from bonnet, taking care to avoid scratching or marring the inside surface of the bonnet.
8. Inspect the valve body and clean if necessary. Ensure interior and seal areas are free of dirt, residue, and foreign particles.

Caution: Do not scratch or mar internal surfaces.

Reassembly:

1. Apply light film of Christo-Lube or oxygen compatible grease equivalent to acme threads of stem. Fully thread stem into bonnet. Slide bonnet nut over bonnet.
2. Slip spring & jam ring over stem into bonnet.
3. Apply thin film of Christo-Lube or oxygen compatible grease equivalent to the three (3) vee rings. Slip each vee ring over stem into bonnet, convex side up.
4. Slide packing gland over stem into bonnet.
5. Place o-ring into recess in packing nut
6. Apply Loctite 242® to threads on bonnet. Thread packing nut onto bonnet. Tighten nut to a depth of 2.35" above bonnet nut.
7. Place handwheel onto square portion of stem. Place washer & locknut onto threads & tighten firmly.
8. Place new gasket into recess in valve body. Place refurbished bonnet assembly into valve body. Tighten bonnet nut to 900-1100 in-lbs torque. (Hold body with large adjustable wrench.)
9. Cycle the valve stem opened and closed several times to ensure smooth operation.
10. Slowly pressurize system. Check valve for proper operation and all seal points for leaks by inspecting thoroughly, using a high quality leak detection solution.

Δ Parts included in the BK9450-KIT.
◆ Parts included in the BK9450-80 kit.